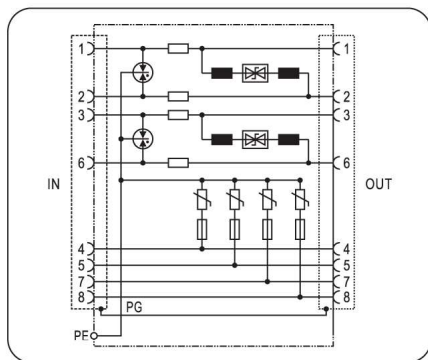


OUTBACK ANTENNAS

SPD

SURGE-OA-RJ45-48V-1G

Basic circuit diagram:



• Technical data

Type	SURGE-OA-RJ45-48V-1G		
Art.-No.	630 043		
	RJ45 interface	Power Supply line	
Nominal voltage	U_N	5V-	48V-
Std.clamp voltage(s)	U_C	7.5V-	60V-
Nominal discharge current (8/20)	I_n	2kA	2.5kA
Peak pulse current (10x1000μs)	I_n	300A	200A
Voltage protection level at I_n	U_p	≤ 60V (line-line) ≤ 60V (line-PG)	≤ 200V
Response time	t_A	≤ 1ns (line-line) ≤ 100ns (line-PG)	≤ 25ns
Bandwidth	f_G	165MHz	---
Max. data transmission rates	V_s	100Mbits/s	---
Protection lines		1 / 2 / 3 / 6	4 / 5 (+). 7 / 8 (-)
Operating temperature range		-40°C...+80°C	
Connection (input / output)		RJ45 shield socket	
Earthing via		Earthing screw	
Shield earthing		Indirectly via integrated spark gap	
Dimension		120mm x 27mm x 25.5mm	
Test standards		IEC 61643-21; GB 18802.21; YD/T 1542	
Certification		CE (LVD, EMC)	

• Product introduction

1. Summary

SURGE-OA-RJ45-48V-1G 7.5V is a network device protecting for POE; surge protective devices with RJ45 interface. Designed according to IEC 61643-21; GB 18802.21 YD/T 1542.

2. Main character

- POE network device, protect integrated power supply & network signal transmission cables in the twist pairs
- Good discharge capacity, low voltage protection level
- Quick response, high transmission speed, low signal attenuation
- RJ45 connection, easy for installation

3. Application

SURGE-OA-RJ45-48V-1G will provide protection for IP telephones, IP Cameras and POE network devices.

4. Application environment

- Temperature: -40°C ~ +80°C
- Relative humidity: ≤ 95% (25°C)

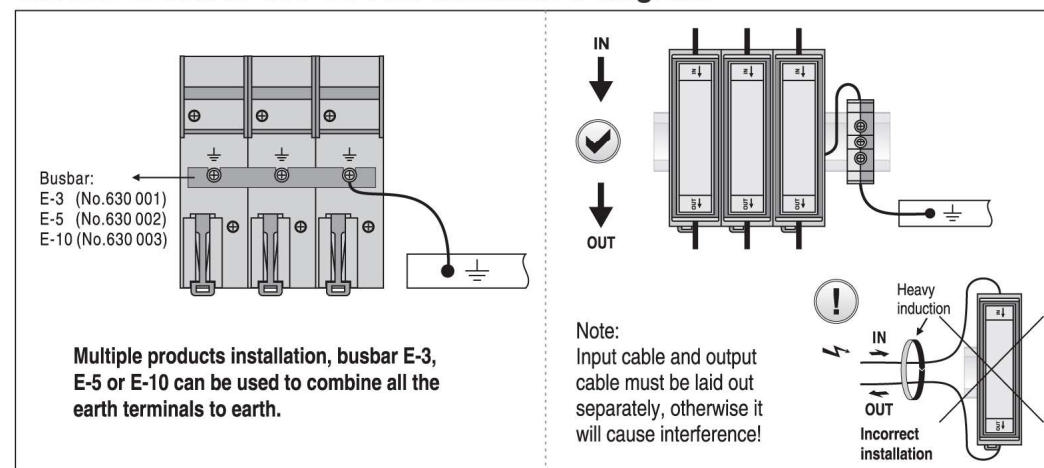
• Installation instruction

1. This product is connected in series to the protected device.
2. Mount the SPD on 35 mm DIN rail.
3. The OUT terminal should be connected to the protected devices.
4. SPD's earthing terminal must be connected to nearby earthing BusBar or the metal earthing enclosure of the protected device.
5. After above, you should ensure the circuit is functioning.

Regularly inspect the operating status, especially after lightning.

Once the communication is off, electrician should check/replace the SPD.

SURGE-OA-RJ45-48V-1G 7.5v Installation diagram:



WARNING:

1. The device must be installed by electrically skilled person, conforming to national standards and safety regulations.
2. It is recommended that installation should be done under power off condition.