



Package Contents



Mount Arm



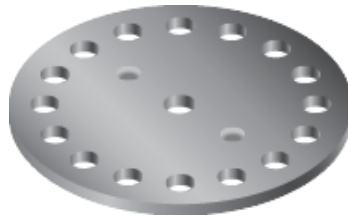
Universal Ball Mount



Bracket Mount



Rotation Collar



Stacking Washer



Ball Mount Washer

Supported Products

The Quick Mount is compatible with the GigaBeam™, LTU™ Lite, NanoBeam®, NanoStation®, NanoStationloco, and UniFi® Building-to-Building Bridge.

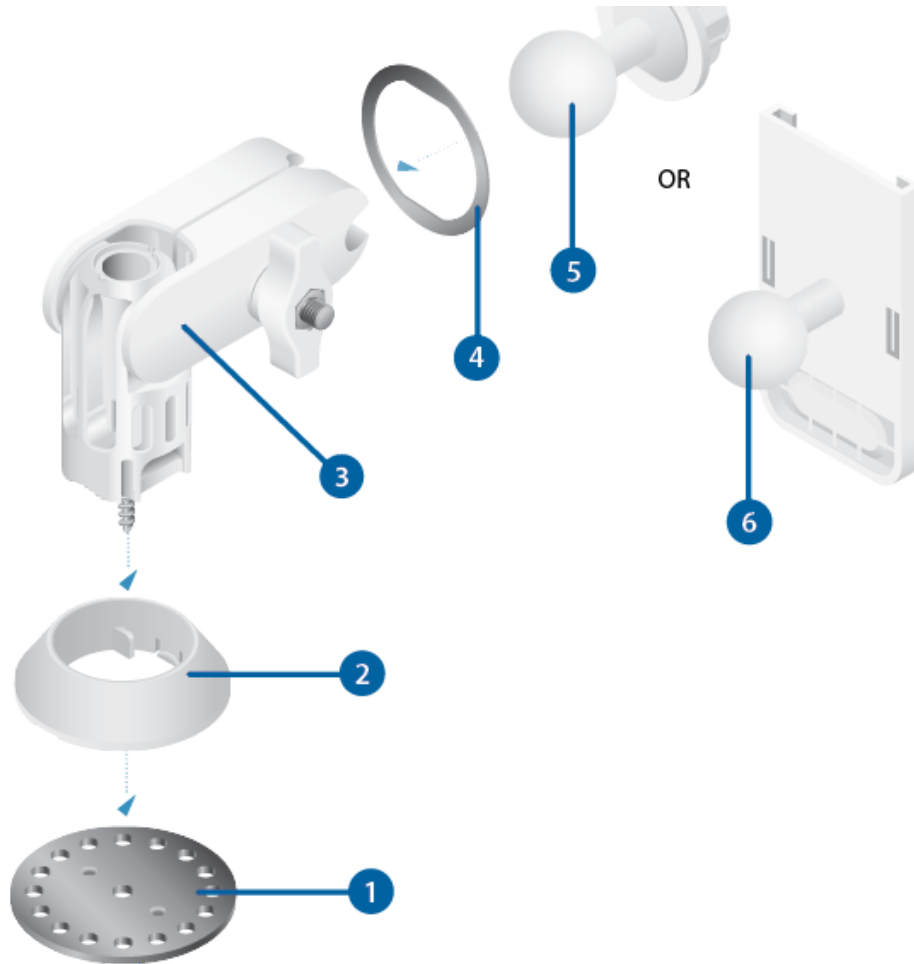
- NBE-2AC-13, NBE-M5-16, UBB, or GBE using the Universal Ball Mount
- NBE-5AC-Gen2 or NBE-M5-19 using the Universal Ball Mount and Metal Washer
- loco5AC, NS-5AC, or LTU-Lite using the Ball Mount Assembly



Hardware Overview



Quick-Mount Quick Start Guide



1 Stacking Washer

Part of the Quick-Mount assembly that locks the Rotation Collar into place.

2 Rotation Collar

Part of the Quick-Mount assembly that stabilizes the base of the Mount Arm.

3 Mount Arm

Adjustable mount compatible with a variety of Ubiquiti CPE devices.

4 Ball Mount Washer

Used in conjunction with the Universal Ball Mount when installing the NBE-5AC-Gen2 or NBE-M5-19.

5 Universal Ball Mount

Used when installing the NBE-5AC-Gen2, NBE-2AC-13, NBE-M5-19, NBE-M5-16, UBB, or GBE.

6 Bracket Mount

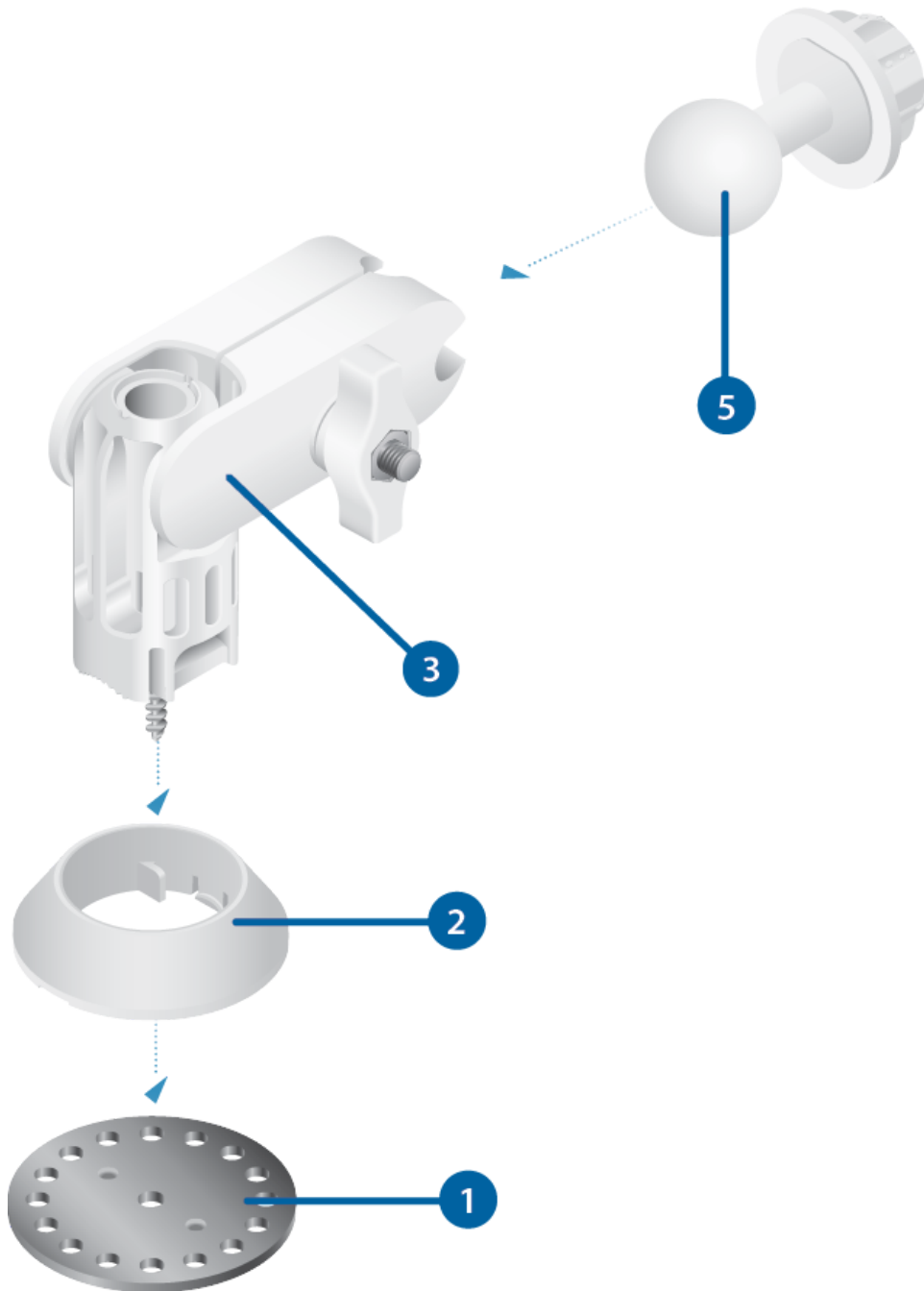
Used when installing the loco5AC, NS-5AC, or LTU-Lite.



Quick-Mount Quick Start Guide

- NBE-2AC-13
- NBE-M5-16
- UBB
- GBE

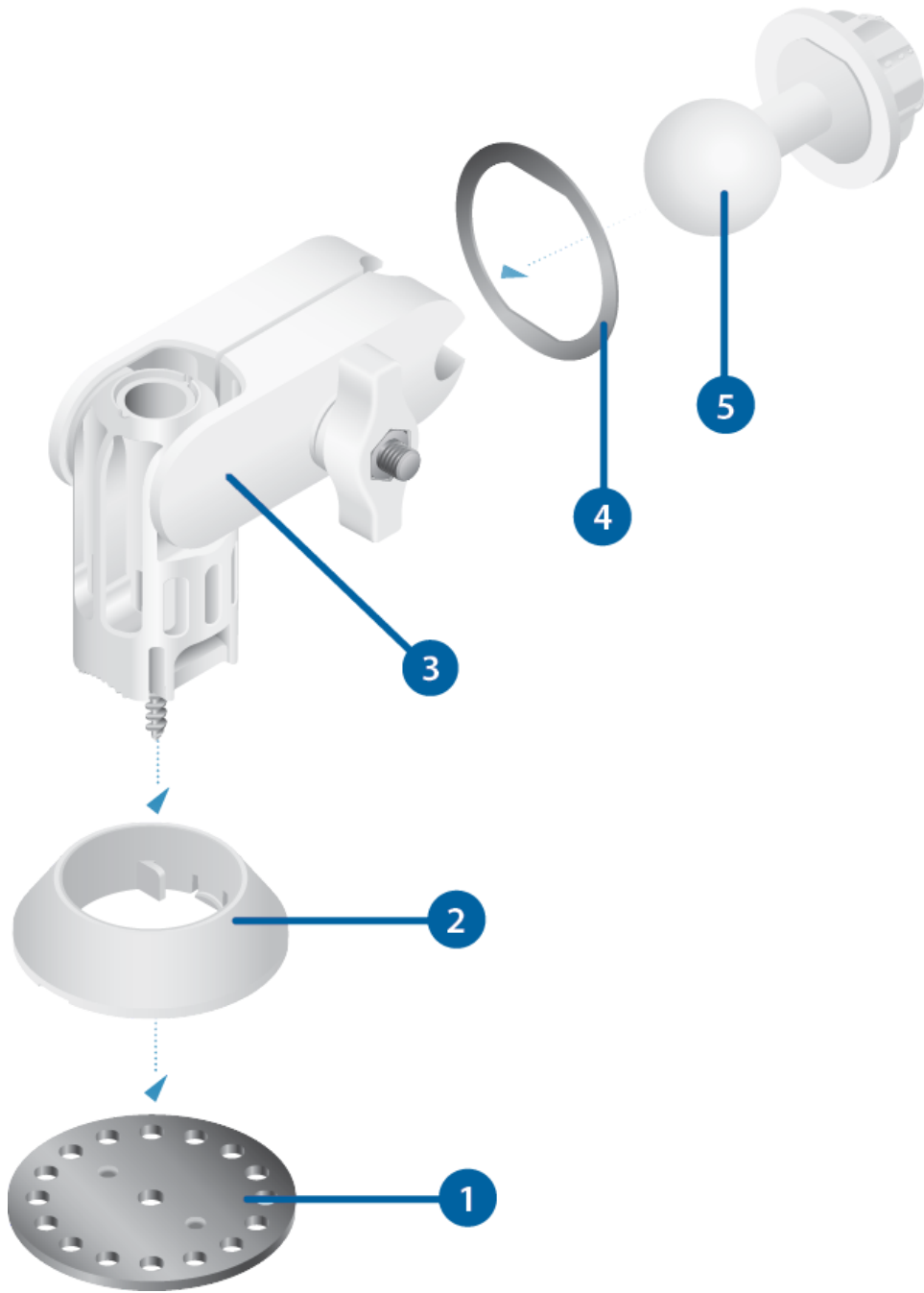
Components



Note: The device's Lock Ring will also be used.

Models

- NBE-5AC-Gen2
- NBE-M5-19

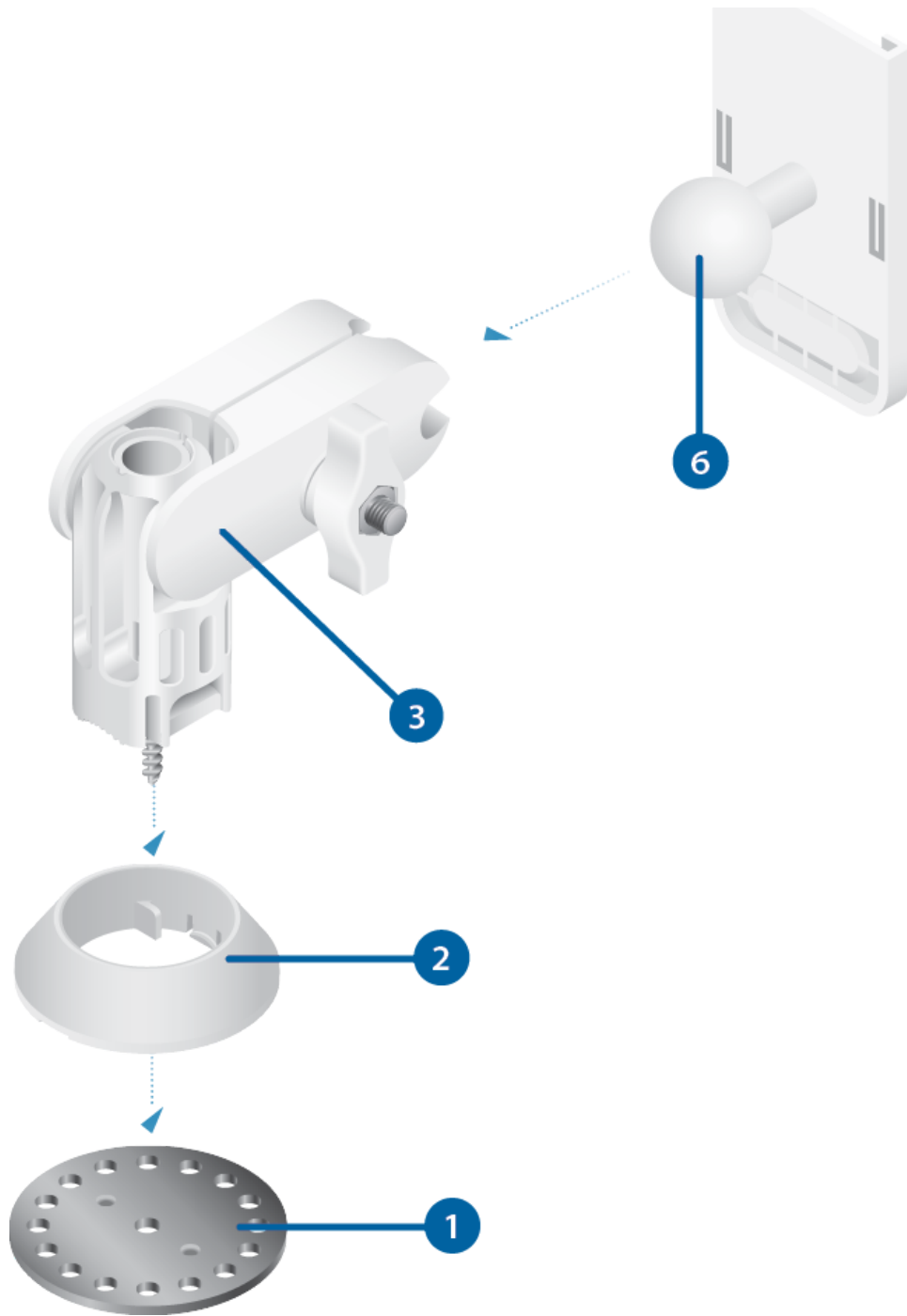


Note: The device's Lock Ring will also be used.

Models

- loco5AC
- NS-5AC
- LTU-Lite

Components



Installation

Before You Begin

Insert the Mount Arm into the Rotation Collar and press until it is locked in.



Quick-Mount Quick Start Guide

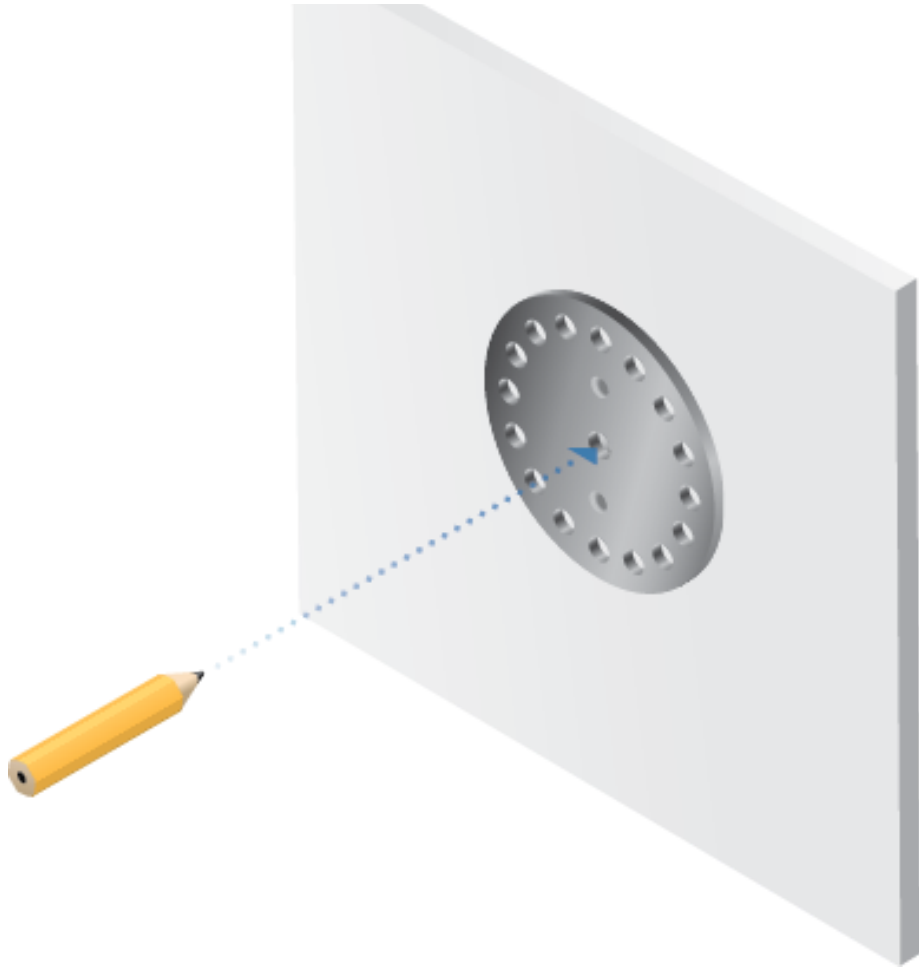


Note: The screw end should extend past the Rotation Collar for installation, as shown below.





Quick-Mount Quick Start Guide



Optional



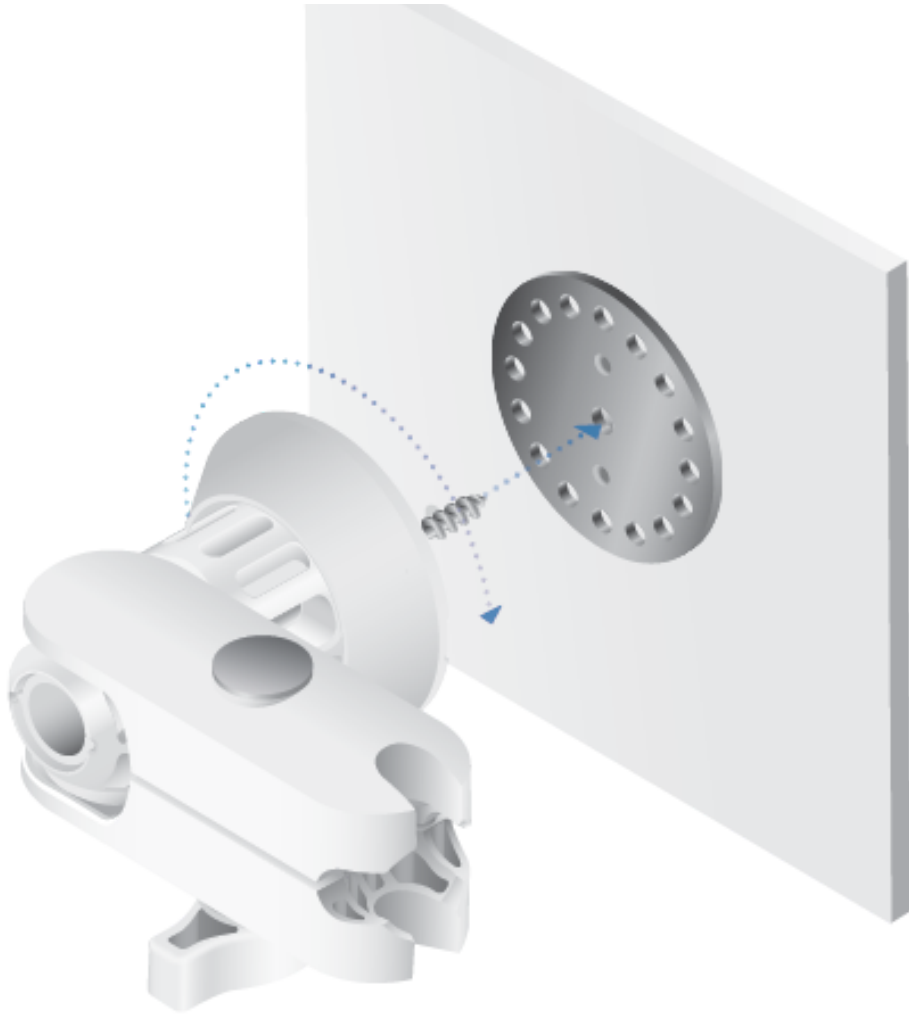
Quick-Mount Quick Start Guide



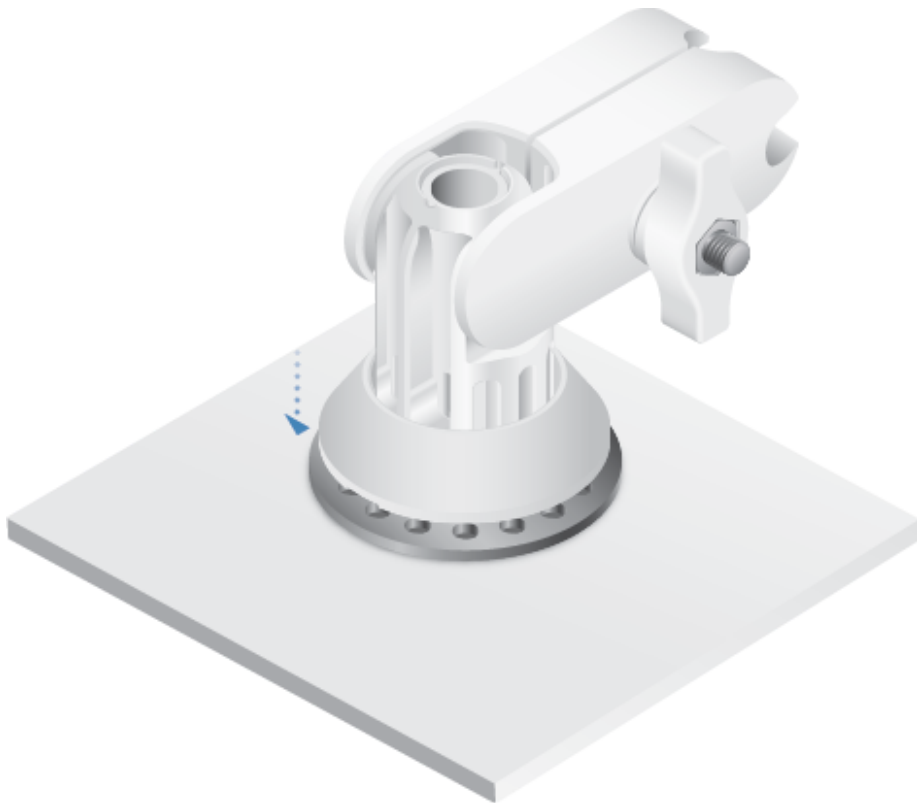
2.



Quick-Mount Quick Start Guide



3.



4.



Quick-Mount Quick Start Guide



5.



Note: Add the Ball Mount Washer when installing the NBE-5AC-Gen2 or NBE-M5-19.

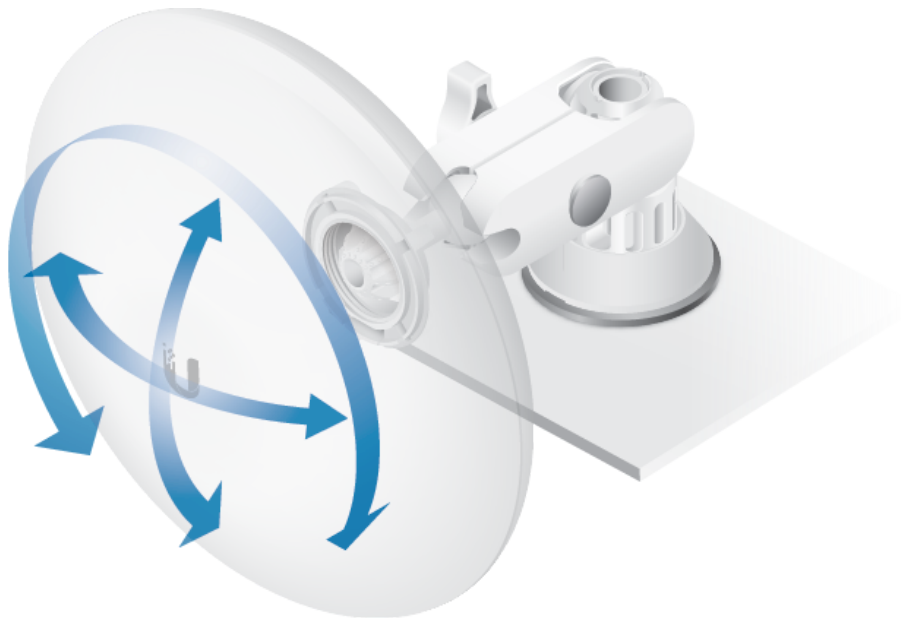
OR



Quick-Mount Quick Start Guide



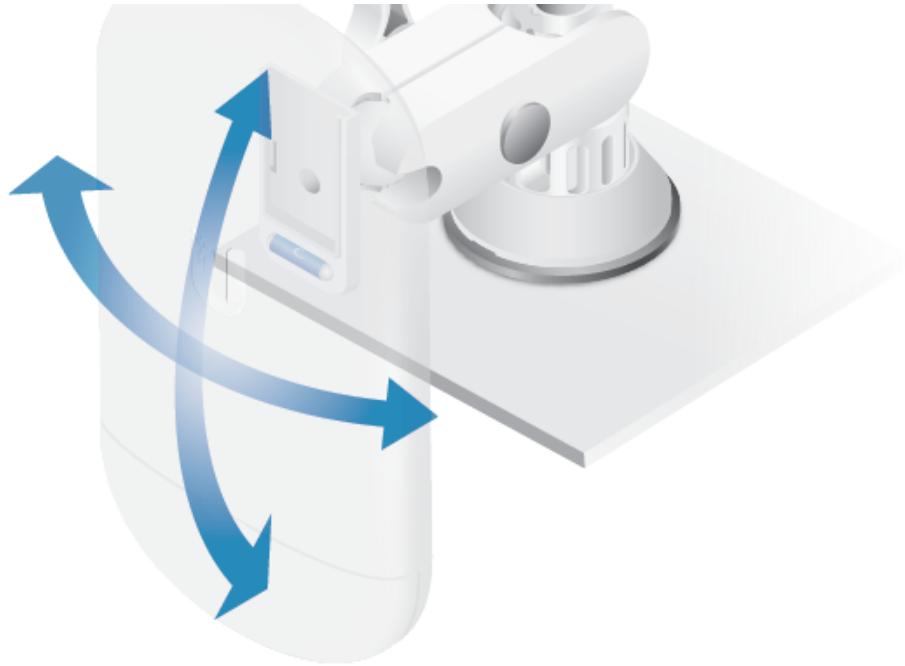
6.



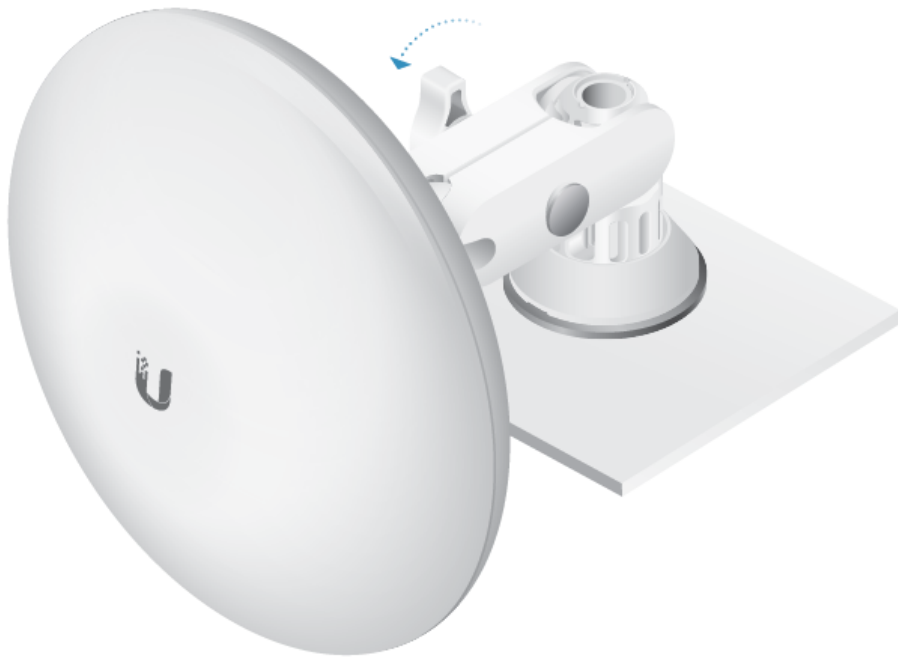
OR



Quick-Mount Quick Start Guide



7.



OR



Quick-Mount Quick Start Guide



Specifications

Quick-Mount	
Dimensions	104 x 122 x 81 mm (4.09 x 4.80 x 3.19")
Weight	375 g (0.83 lb)
Device Support Ball Mount Assembly Universal Ball Mount Universal Ball Mount with Ball Mount Washer	loco5AC, NS-5AC, or LTU-Lite NBE-2AC-13, NBE-M5-16, UBB, or GBE NBE-5AC-Gen2, NBE-M5-19

Limited Warranty

ui.com/support/warranty

The limited warranty requires the use of arbitration to resolve disputes on an individual basis, and, where applicable, specify arbitration instead of jury trials or class actions.

Declaration of Conformity

Online Resources



Quick-Mount Quick Start Guide



© 2019-2020 Ubiquiti Inc. All rights reserved.